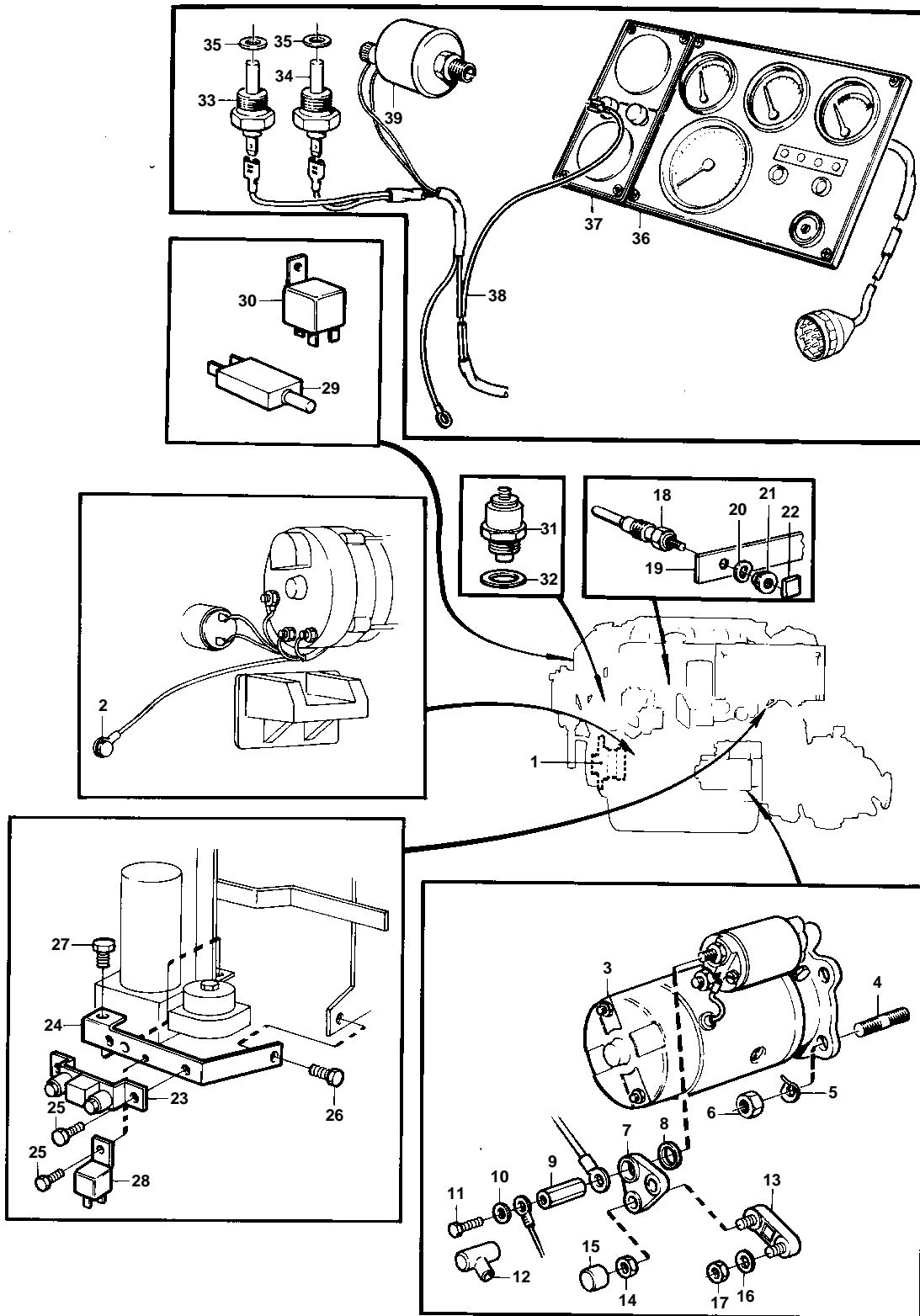


MD40A,TMD40A,TMD40B,TMD40C,AQD40A,TAMD40A,TAMD40B,AQAD40A,AQAD40B



7891

MD40A,TMD40A,TMD40B,TMD40C,AQD40A,TAMD40A,TAMD40B,AQAD40A,AQAD40B

REF	PART NO.	QTY	DESCRIPTION	SEE SEC.	NOTES
1		1	ALTERNATOR	090-1470	
2	955293	1	Screw		
3	838987	1	Starter motor		
			COMPONENTS		SEE GROUP 3
4	953067	3	Stud		
5	941908	3	Spring washer		
6	955783	3	Nut		
7	852986	1	Current bar		AQ
8	829714	1	Seal		AQ
9	855314	1	Nut		AQ
10	941907	1	Spring washer		AQ
11	940199	1	Screw		AQ
12	855798	1	Protecting sleeve		AQ
13	853502	1	Fuse		AQ
14	853573	1	Nut		AQ
15	853572	1	Protective cap		AQ
16	941906	1	Spring washer		AQ
17	955781	1	Nut		AQ
18	838954	6	Glow plug		
19	1542296	1	Rail		
20	941905	6	Spring washer		
21	955780	6	Nut		
22	1542408	6	Protecting casing		
23	838980	1	Series resistance		
24	858078	1	Bracket		
25	955268	3	Screw		
26	955318	1	Screw		
27	955296	1	Screw		
28	838955	1	Relay		
29	966689	1	Fuse		
30	838955	2	Relay		
31	858058	1	Stop solenoid		
32	243572	1	O-ring		
33	843325	1	Temperature sensor		
34	822858	1	Thermo monitor		
35	957181	2	Gasket		
36	858036	1	Instrument panel		SEE GROUP 3
37	843604	X	Instrument panel	090-1400	
38	858057	1	Cable trunk		
39		1	OIL PRESSURE SENDER		SEE GROUP 3